

GENERAL NOTES

1. REFER TO ARCHITECT'S DRAWINGS FOR SETTING OUT POINTS & LEVELS.
2. THIS DRAWING IS TO BE READ IN CONJUNCTION WITH ALL RELEVANT WORK PACKAGES, ARCHITECT'S & ENGINEER'S DRAWINGS, SPECIFICATIONS, HEALTH & SAFETY PLAN, HEALTH & SAFETY RISK ASSESSMENTS.
3. CONCRETE GRADE TO BE CHECKED WITH A MINIMUM COVER OF 25mm AND A MINIMUM WIDTH/DEPTH RATIO OF 0.5.

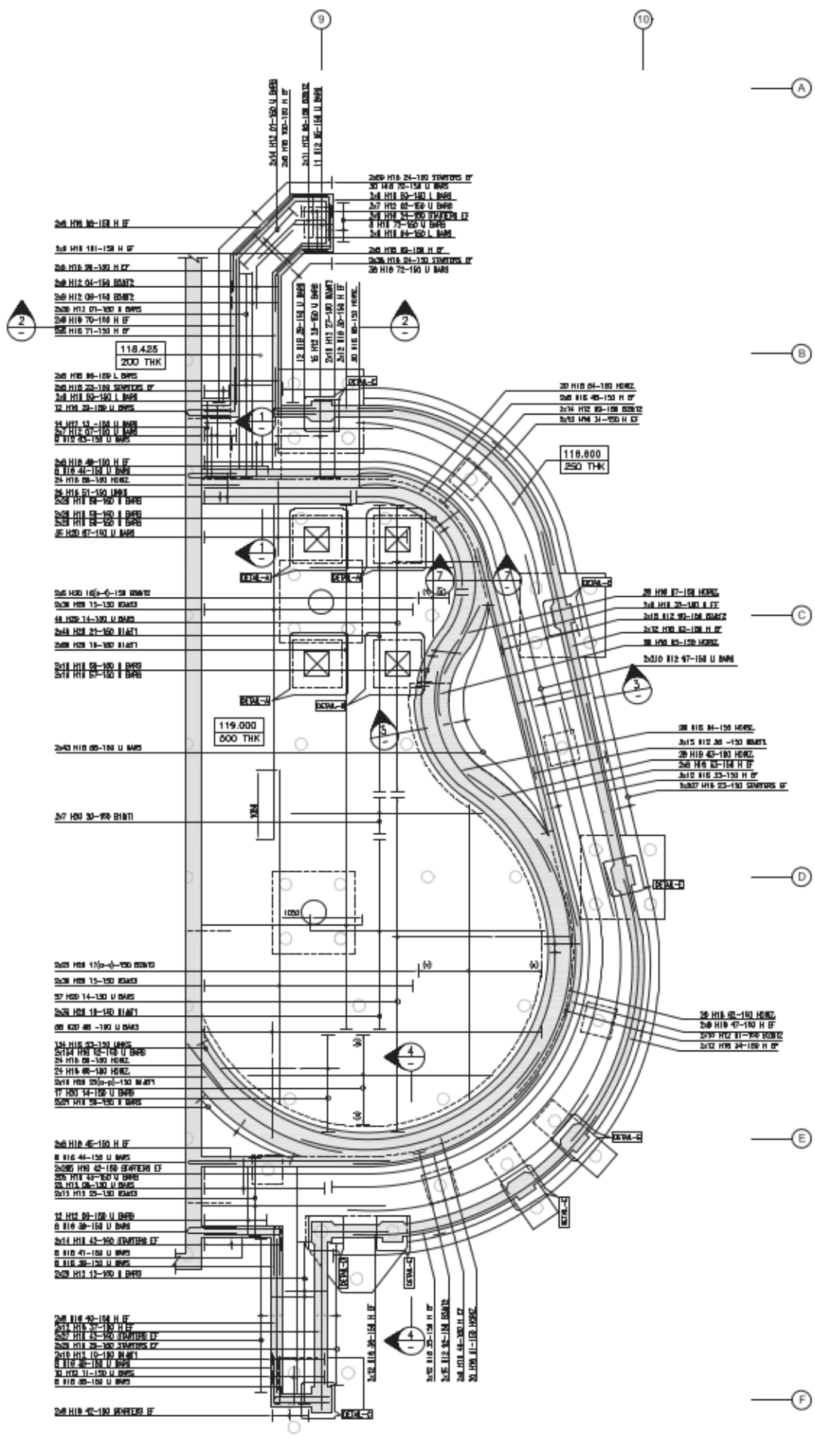
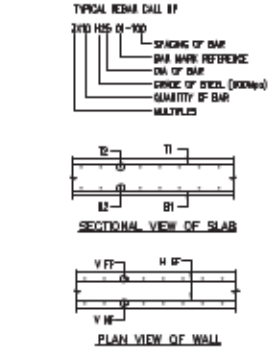
REINFORCEMENT NOTES

1. OTHER TO REINFORCEMENT:
 - FOR POOL BASE SLAB:
 - TOP & BARS - 10mm
 - BOTTOM - 10mm
 - FOR POOL TANK SLAB:
 - TOP & BARS - 10mm
 - BOTTOM - 10mm
 - WALLS - 10mm
2. ALL REINFORCEMENT DETAIL ON THIS DRAWING IS LISTED ON SCHEDULE No. AR2021-25-11-071 SHEET 1 TO 7.
3. MINIMUM LAP LENGTHS TO BE:
 - H2B - 125mm
 - H16 - 825mm
 - H12 - 625mm
 - H14 - 625mm

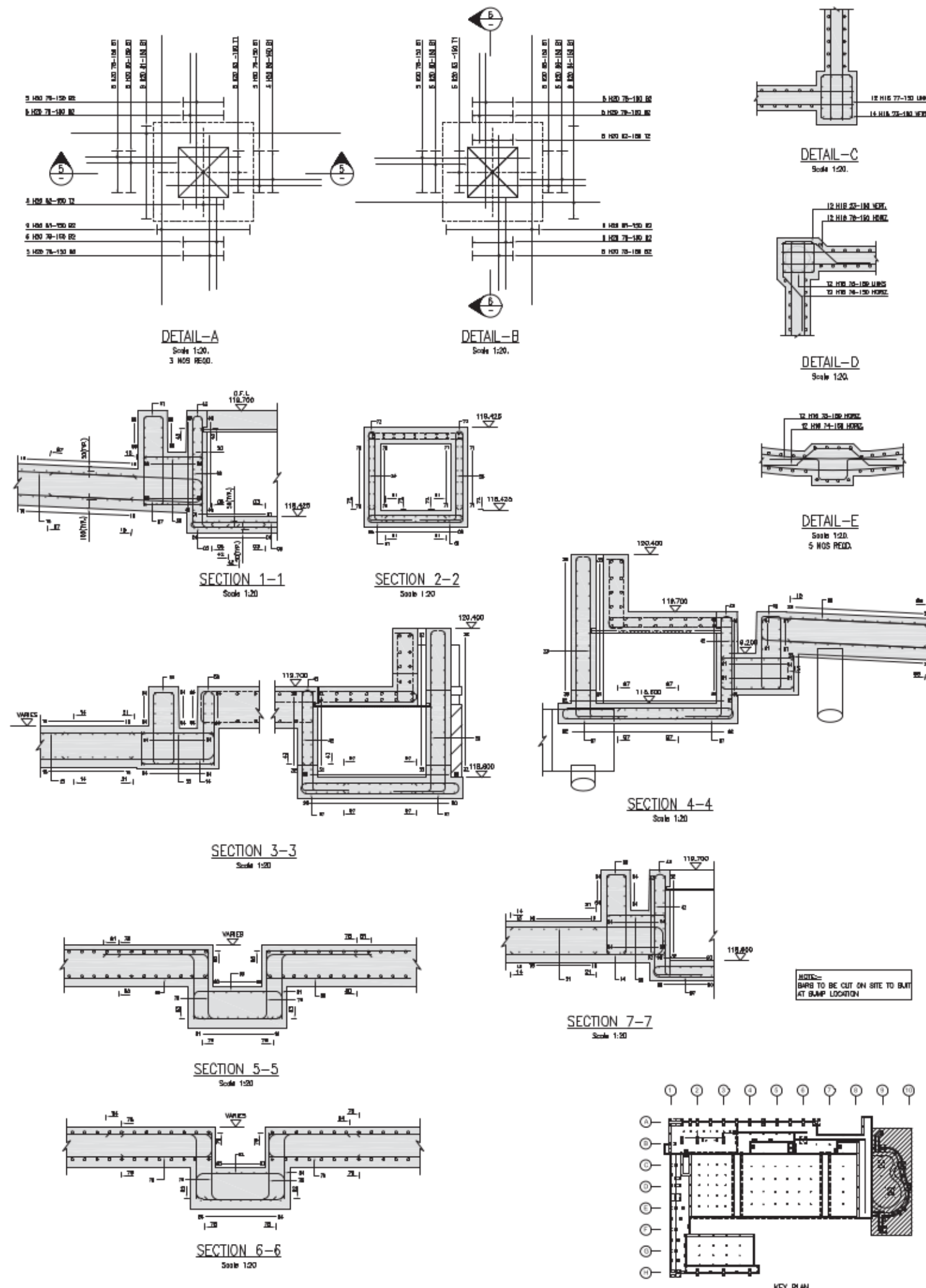
LEGEND

- T1 - TOP FIRST LAYER
- T2 - TOP SECOND LAYER
- B1 - BOTTOM FIRST LAYER
- B2 - BOTTOM SECOND LAYER
- T&B - TOP & BOTTOM
- H - HORIZONTAL
- V - VERTICAL
- CF - EACH FACE
- OF - OUTER FACE
- IF - INNER FACE
- ALT - ALTERNATE

ANNOTATION OF LAYERS



FUN POOL SLAB REINFORCEMENT DETAILS Scale 1:20



Reinforcement Details of Fun Pool Slab