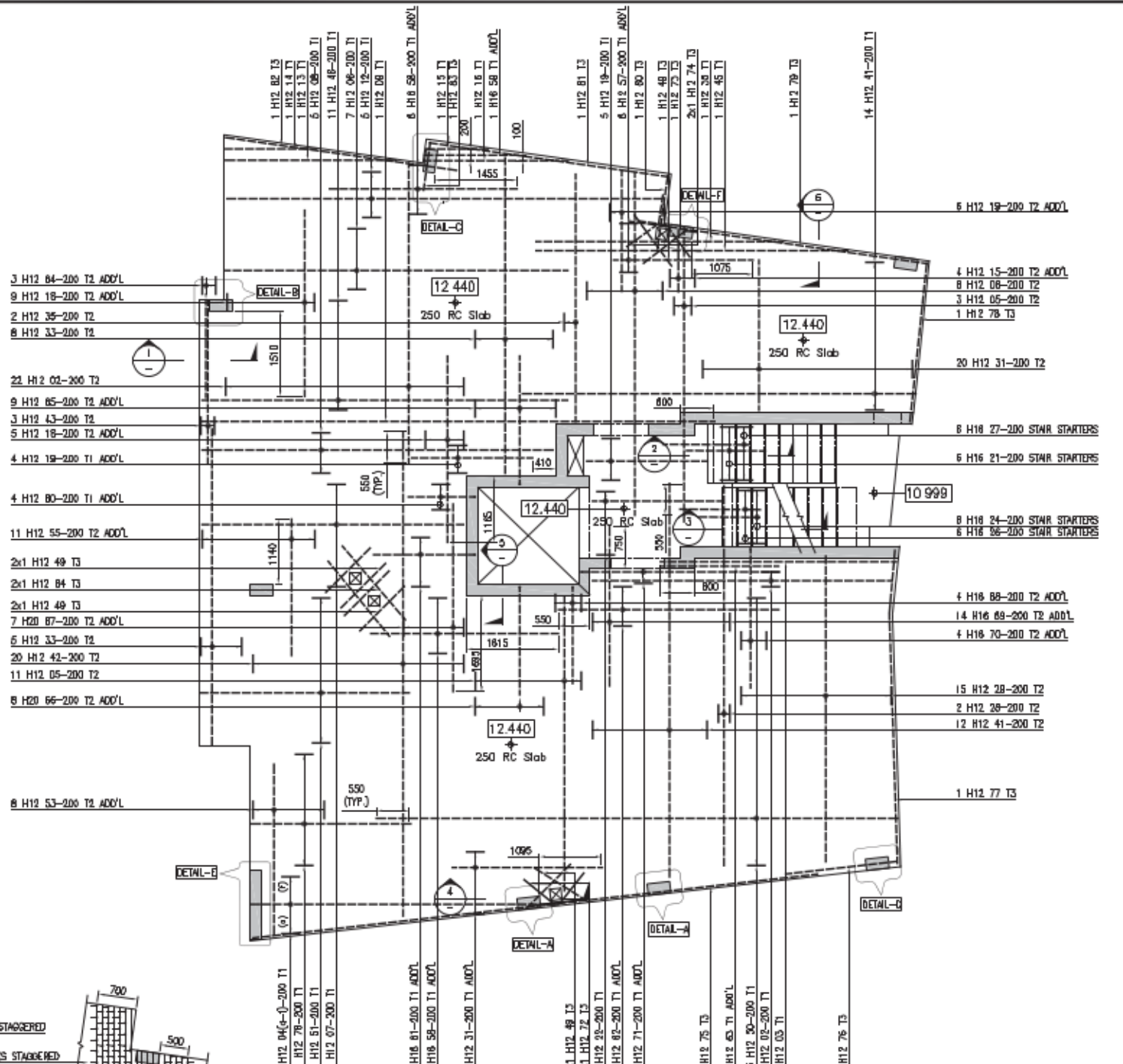
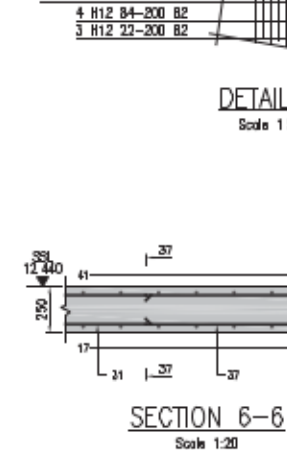
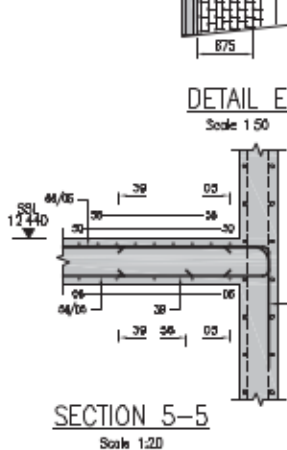
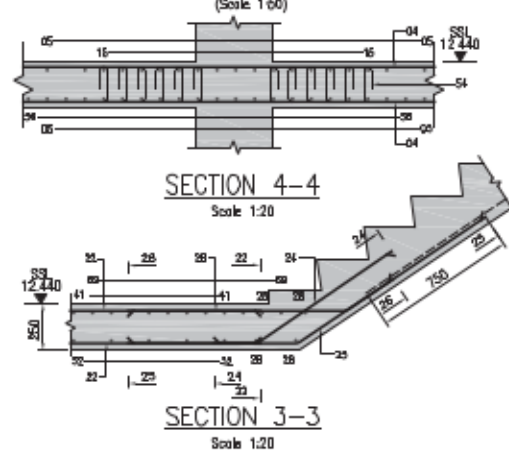
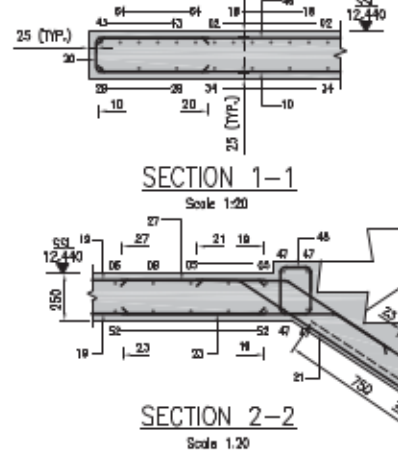
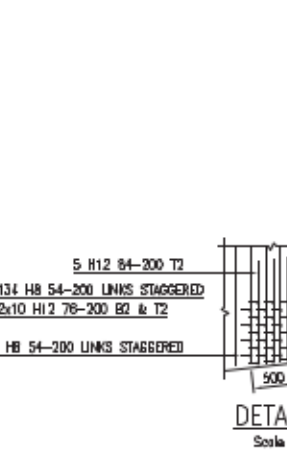
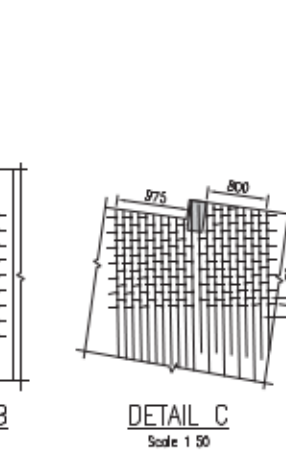
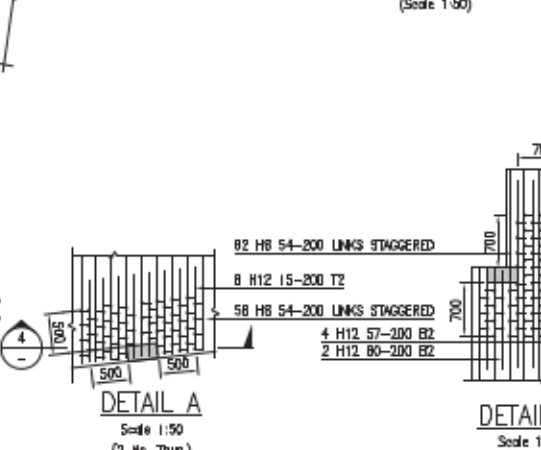


**BOTTOM REINFORCEMENT DETAILS OF THIRD FLOOR SLAB**



**TOP REINFORCEMENT DETAILS OF THIRD FLOOR SLAB**



**NOTES**

- The drawing is to be read in conjunction with all relevant Architects and Engineer's drawings and the Specification.
- This drawing is not to be scaled. All dimensions are in mm unless noted.
- All dimensions and setting out are to be checked on site and discrepancies reported to the Contract Administrator.
- Concrete grade to be RC40 unless noted otherwise.
- All steel reinforcement bars to be high yield deformed type 2 500N/mm<sup>2</sup> unless noted otherwise.

6. Cover to all reinforcement to be as shown below U.M.C:

SLAB	Bottom	Top	Sides
	- 25	- 25	- 25

8. Minimum lap lengths

SLAB	H10 - 450	H16 - 750	H25 - 1150
	H12 - 550	H20 - 800	H32 - 1450

9. Abbreviations

T1 - TOP FIRST LAYER	B1 - BOTTOM FIRST LAYER
T2 - TOP SECOND LAYER	B2 - BOTTOM SECOND LAYER