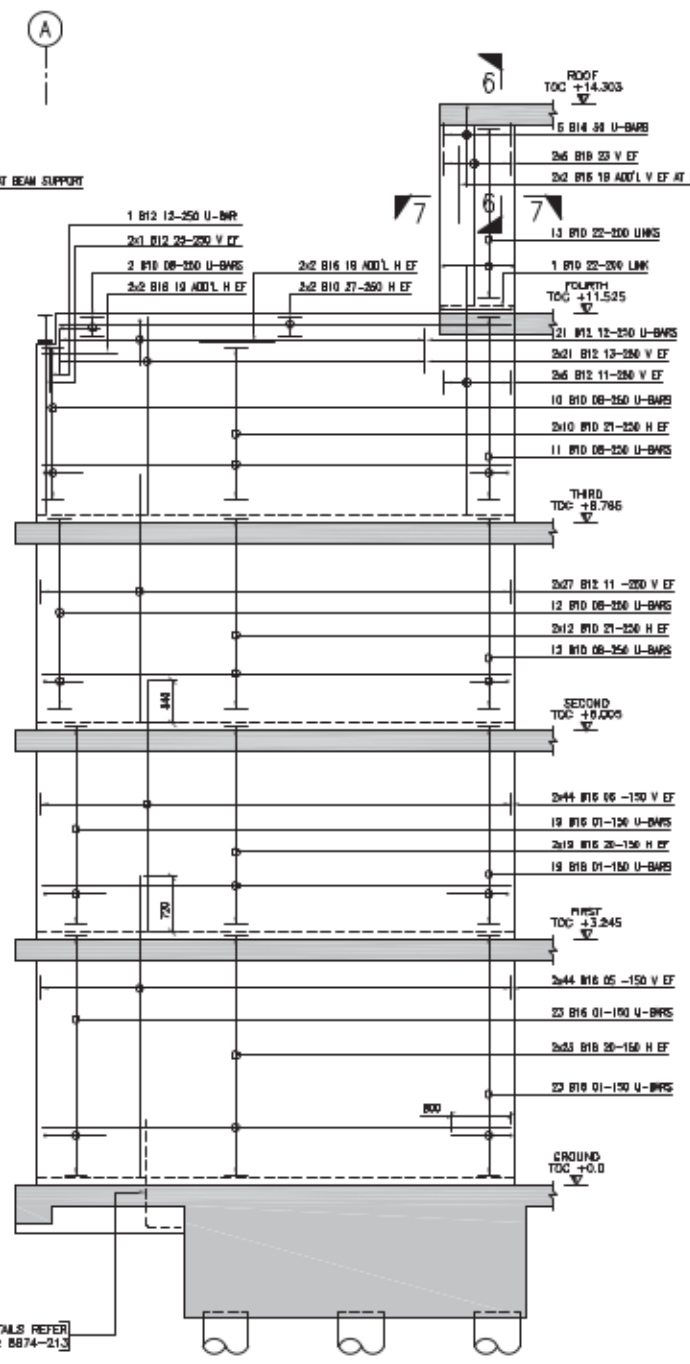
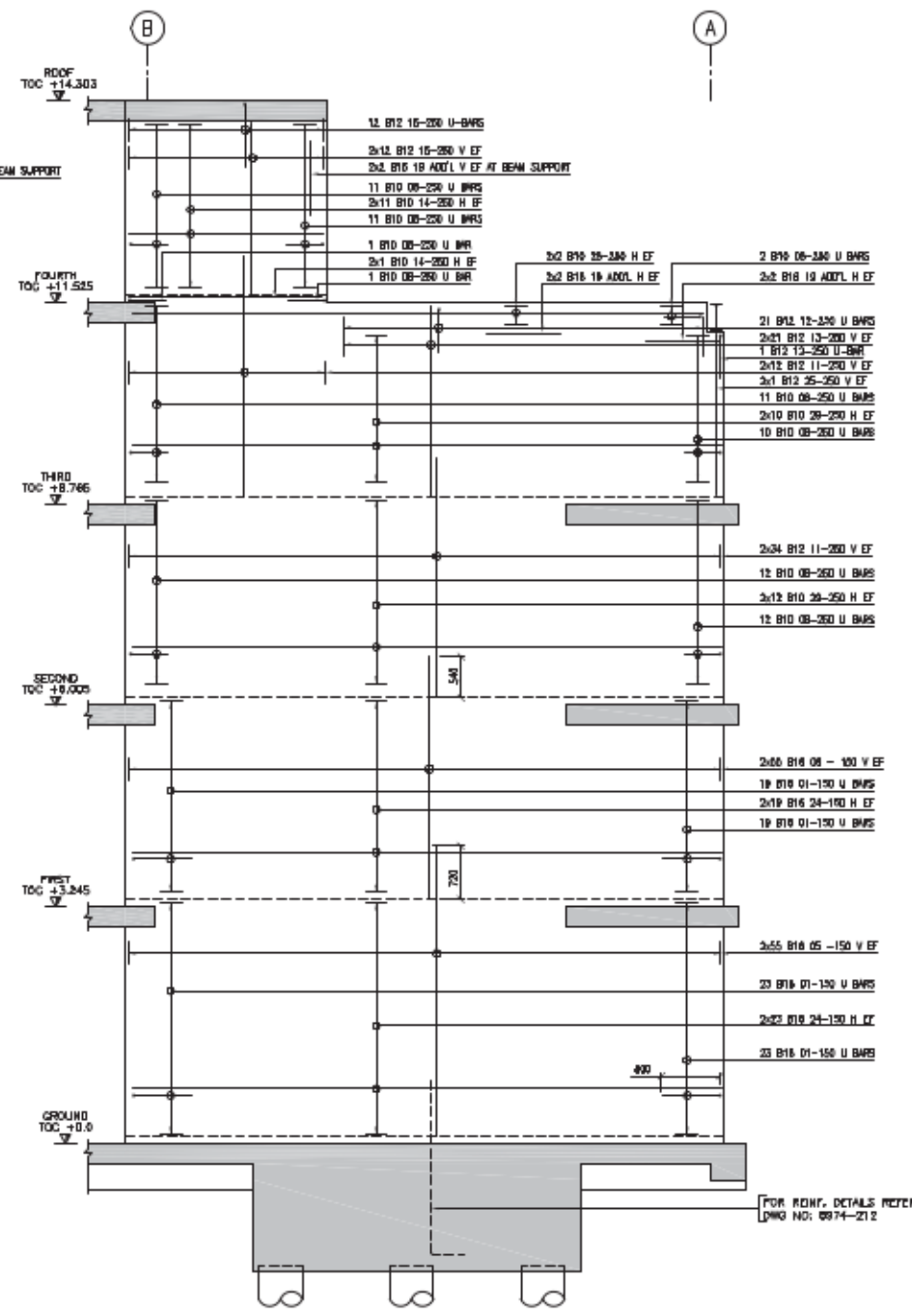


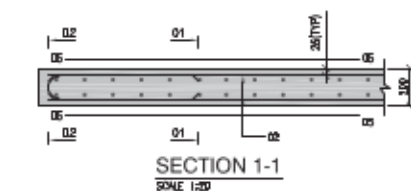
WALL ELEVATION - B
SCALE 1:60



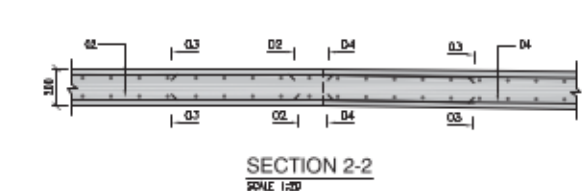
WALL ELEVATION - C
SCALE 1:60



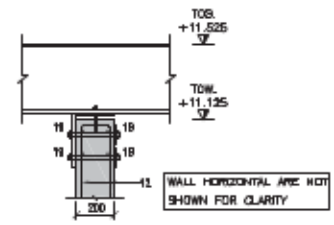
WALL ELEVATION - D
SCALE 1:60



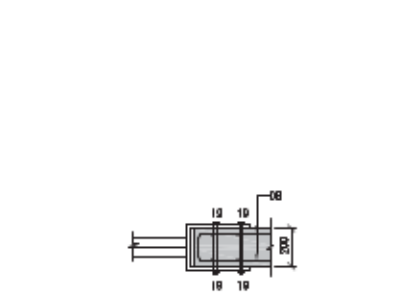
SECTION 1-1
SCALE 1:20



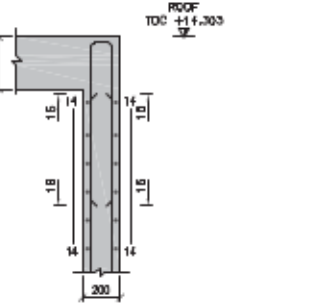
SECTION 2-2
SCALE 1:20



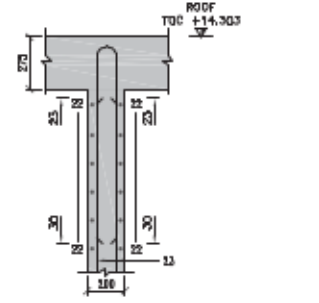
SECTION 3-3
SCALE 1:20



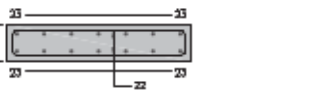
SECTION 4-4
SCALE 1:20



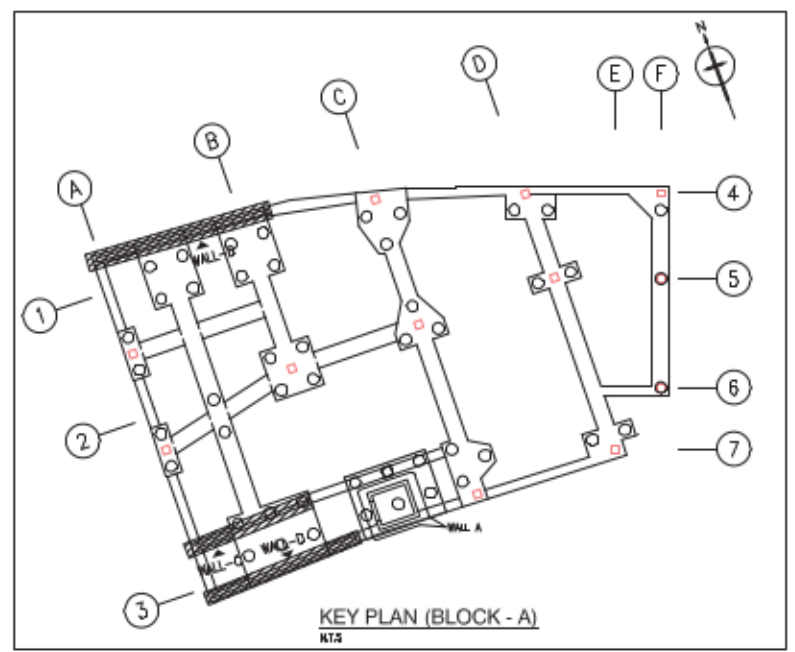
SECTION 5-5
SCALE 1:20



SECTION 6-6
SCALE 1:20



SECTION 7-7
SCALE 1:20



KEY PLAN (BLOCK - A)
SCALE 1:20

- notes
- DO NOT SCALE THIS DRAWING OR PRINT OR ELECTRONICALLY WORK FROM DIMENSIONS ONLY.
 - No deviation from the details shown on this drawing is allowed without Campbell Reith H&A prior permission in writing.
 - Read this drawing with all Architects, Service Engineers and Campbell Reith H&A relevant details and drawings.
 - All work to be in accordance with the relevant specifications issued by Campbell Reith H&A, British Standard Code of Practice, Statutory requirements and the Contract Documents.
 - DRAWING STATUS
- 0.1. SCHEME --- Outline/Scheme drawings for proposals, budgets etc.
- 0.2. DESIGN DEVELOPMENT --- Evolving final design drawings for approval, tenders, pricing etc.
- 0.3. CONSTRUCTION --- Fully developed drawings issued under instruction for construction.
- ONLY STATICS DRAWINGS TO BE USED FOR CONSTRUCTION

6. FILE GAP, GROUND BEAM & COBE BASE
- SIDES - 60mm
BOTTOM COVER - 70mm
TOP COVER - 25mm
TOP COVER - 60mm (FOR FILE GAPS AT CAR PARK)
- COLUMN & WALLS
- ALL SIDES - 25mm
ALL SIDES - 60mm (COLUMNS EXPOSED IN CAR PARK)
- SLABS
- TOP - 25mm
BOTTOM - 60mm
7. MINIMUM LAP LENGTHS
- B10 - 450mm
B12 - 540mm
B16 - 720mm
B20 - 900mm
B25 - 1120mm
B32 - 1400mm

- LEGEND
- H : HORIZONTAL
V : VERTICAL
NF : NEAR FACE
FF : FAR FACE
EF : EACH FACE
ADD'L : ADDITIONAL

BLOCK A
RC DETAILS OF SHEAR WALLS
SHEET 2 OF 2